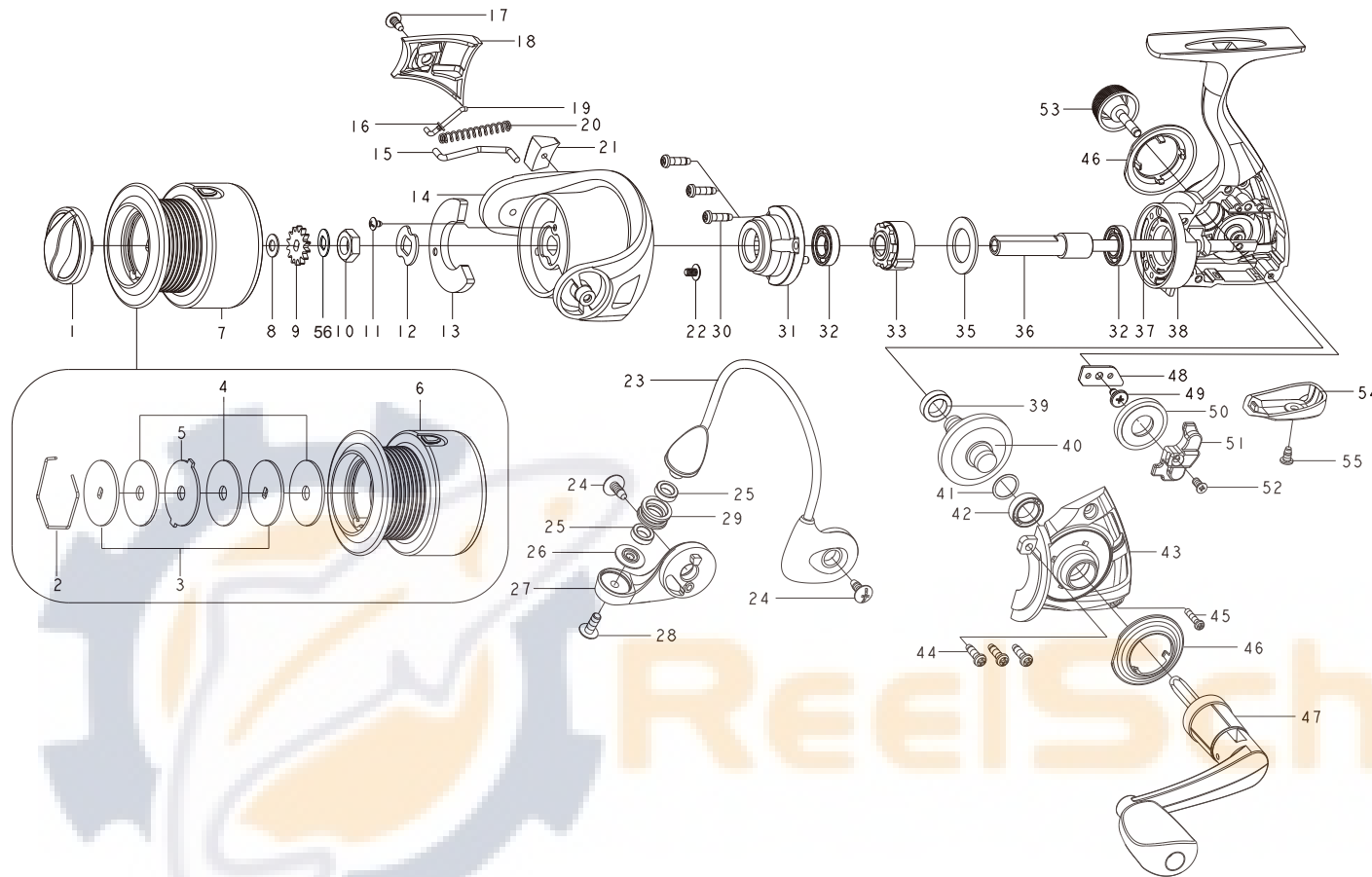


# Shakespeare®

Model GX230

SKP-SP-GX230-00



ITEM	DESCRIPTION	SAP #	ITEM	DESCRIPTION	SAP #	ITEM	DESCRIPTION	SAP #	ITEM	DESCRIPTION	SAP #
1	DRAG KNOB ASSY	1320812	15	TRIP PLUNGER	1320818	29	LINE ROLLER	1320781	44	SCREW	1260089
2	RETAINER RING	1264890	16	WASHER	1320773	30	SCREW	1260089	45	SCREW	1260089
3	KEY WASHER	1260104	17	SCREW	1320770	31	ONE-WAY CLUTCH COVER	1320824	46	DECORATIVE COVER	1320835
4	DRAG WASHER	1260105	18	ROTOR COVER	1320819	32	BALL BEARING	1320825	47	HANDLE ASSY	1320836
5	EARED WASHER	1260045	19	BAIL ARM GUIDE	1320769	33	ONE-WAY CLUTCH SUB-ASSY	1320826	48	SLIDE FIXING SHEET	1320838
6	SPOOL SUB-ASSY	1320813	20	BAIL SPRING	1320772	35	WASHER	1320827	49	SCREW	1260122
7	SPOOL ASSEMBLY	1320814	21	COUNTER BALANCE(B)	1320820	36	PINION GEAR	1320829	50	O/S GEAR	1260137
8	CLICKER GEAR WASHER	1260050	22	SCREW	1320821	37	MAIN SHAFT	1320830	51	SLIDER	1260136
9	CLICKER GEAR	1260083	23	BAIL ASSY	1320822	38	BODY ASSY	1320831	52	SCREW	1320811
10	NUT	1260123	24	SCREW	1320777	39	BALL BEARING	1320832	53	HANDLE SCREW CAP	1320803
11	SCREW	1320815	25	LINE ROLLER BUSHING	1320780	40	DRIVE GEAR	1260130	54	REAR COVER	1320839
12	WASHER	1287004	26	LINE ROLLER WASHER	1264901	41	SPACE WASHER	1320793	55	SCREW	1320802
13	COUNTER BALANCE(A)	1320816	27	BAIL ARM	1320823	42	BALL BEARING	1320833	56	WASHER	1292068
14	ROTOR	1320817	28	SCREW	1320779	43	BODY COVER	1320834			